

Adaptor aktiv head / slider adaptor 75 mm / 100 mm

Part No. S2080-0003 (75 mm) S2080-0004 (100 mm)

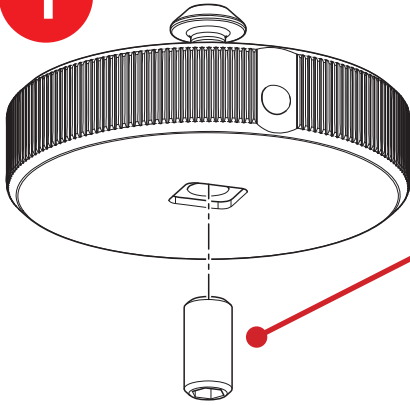


Please refer aktiv fluid head user guide S2068-4980 for safety instructions.



sachtler

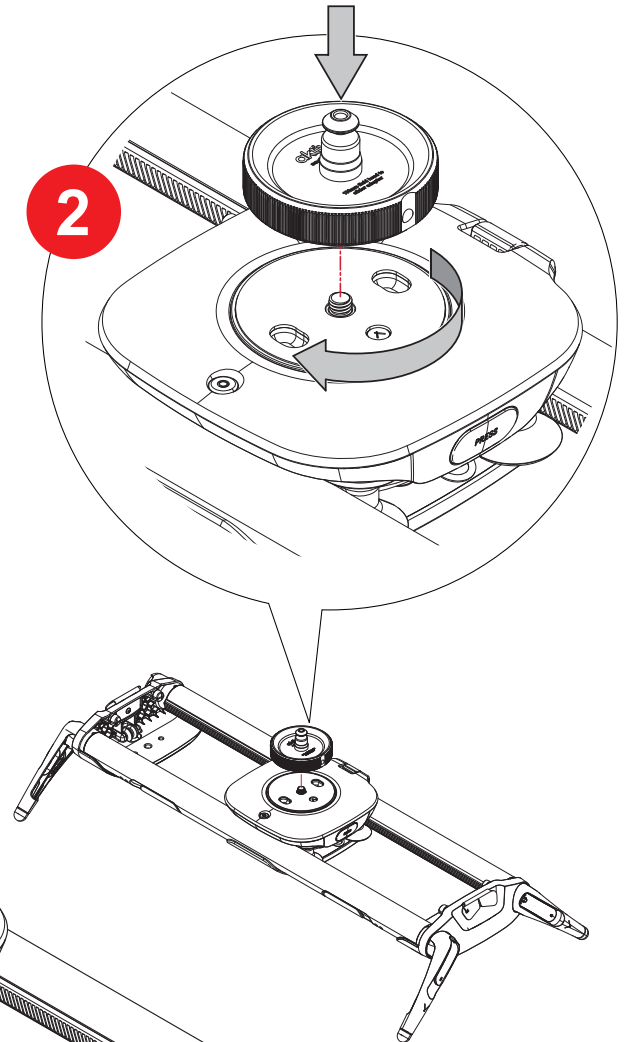
1



The aktiv head / slider adaptor comes with a stud to fit sliders with female fittings, if slider has female fittings screw in stud. If slider has male fittings leave the stud off.

Screw the adaptor onto the slider and tighten firmly.

2





WARNING!

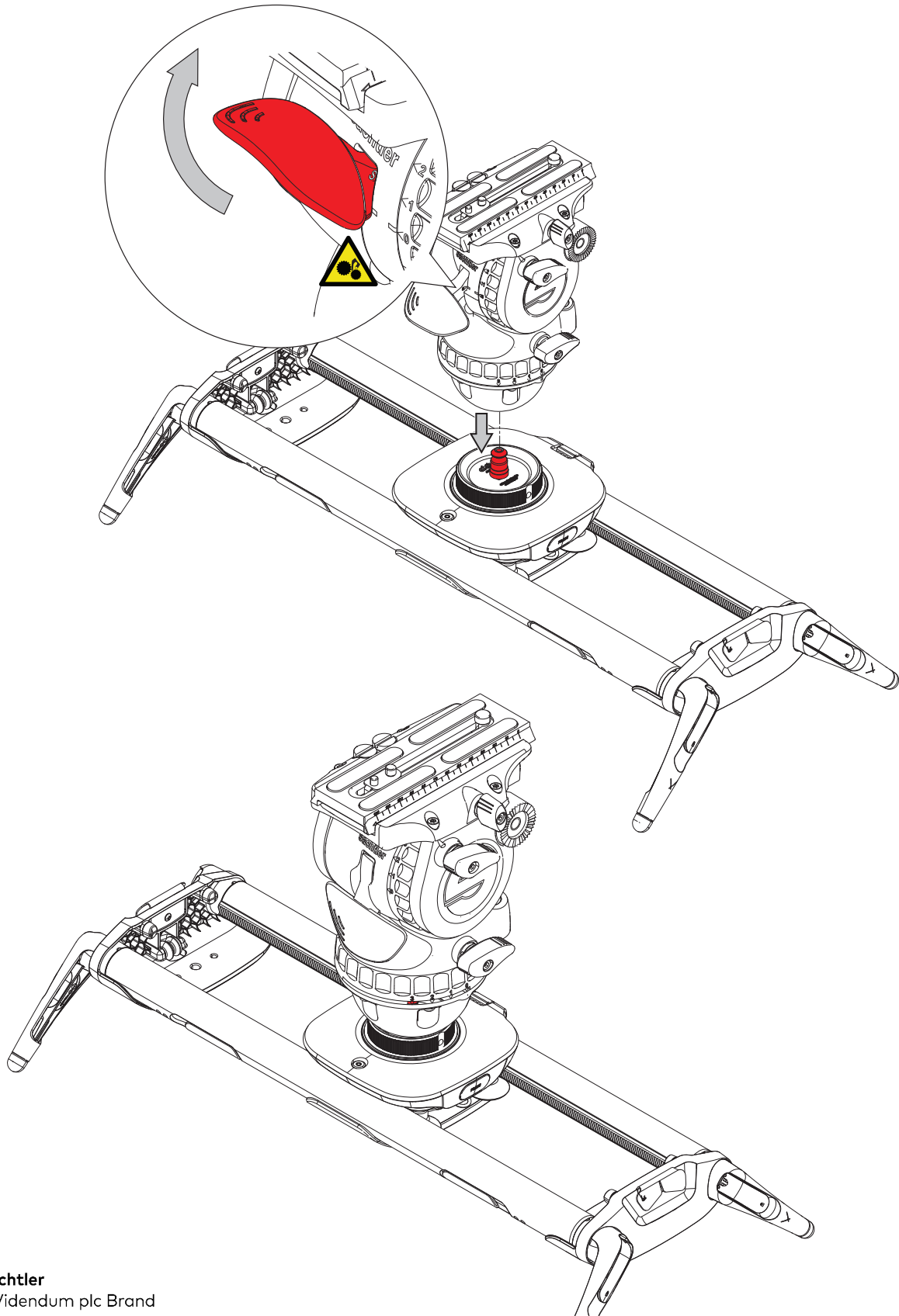
Pinch point, injury to fingers or hands, exercise caution.

3

Lift the SpeedLevel Lever as shown all the way to the top. Lower the head onto the bowl connector and release the SpeedLevel lever.

Check the head is firmly attached to the slider.

CAUTION! Push the SpeedLevel Lever fully closed against the head body before use.



Sachtler
A Videndum plc Brand