

MovieBird 45 specification:

Max. nose load: 50 kg / 110 lbs

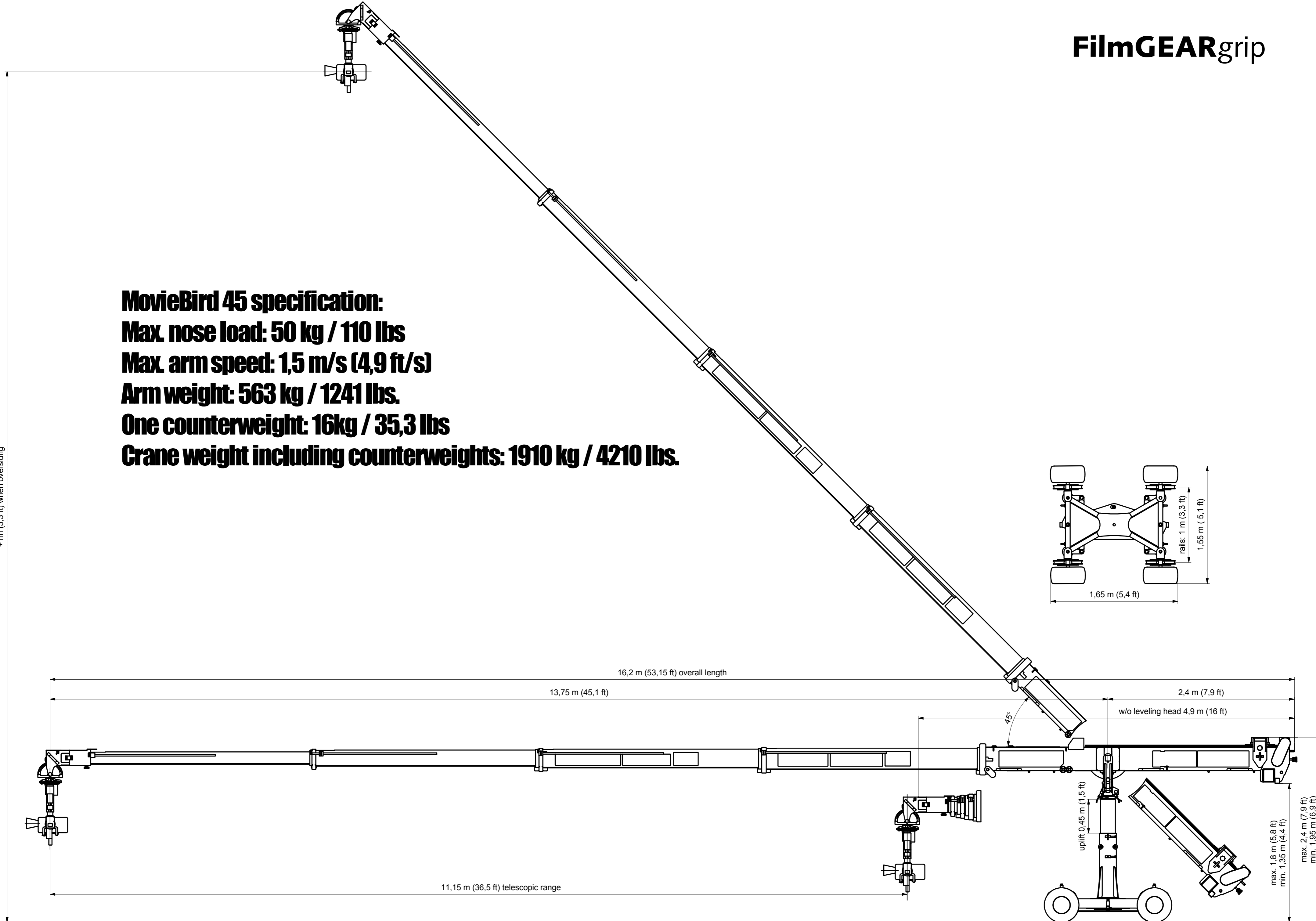
Max. arm speed: 1,5 m/s (4,9 ft/s)

Arm weight: 563 kg / 1241 lbs.

One counterweight: 16kg / 35,3 lbs

Crane weight including counterweights: 1910 kg / 4210 lbs.

max. 11,1 m (36,4 ft)
min. 10,65 m (34,95 ft)
+1m (3,3 ft) when overslung



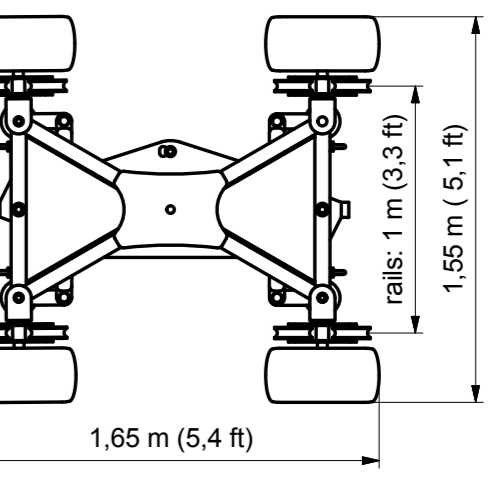
16,2 m (53,15 ft) overall length

13,75 m (45,1 ft)

2,4 m (7,9 ft)

w/o leveling head 4,9 m (16 ft)

11,15 m (36,5 ft) telescopic range



1,65 m (5,4 ft)

rails: 1 m (3,3 ft)
1,55 m (5,1 ft)

uplift 0,45 m (1,5 ft)

max. 1,8 m (5,8 ft)
min. 1,35 m (4,4 ft)

max. 2,4 m (7,9 ft)
min. 1,95 m (6,9 ft)